

Technical data

Litronic-FMS planar sensor P71-HD

Moisture sensor, Litronic-FMS planar sensor type P71-HD with PEEK product contact surface



Features

- Moisture sensor - capacity measurement in a high-frequency stray field
- Temperature sensor PEEK contact surface
- EHEDG-certified TYPE EL, CLASS I, MAY 2023 ¹⁾
- FDA-conform
- Stainless steel housing V4A (1.4404) / 316L
- Suitable for SIP/CIP use
- VARINLINE® housing type N process connection
- Valid regulations: EC 1935/2004; (EU) No. 10/2011
- GMP (Good Manufacturing Practice) (EU) No. 2023/2006
- Sensitivity adjustable in three levels
- Limit value check
- Integrated microprocessor with mean value calculator
- Temperature compensation
- Sensor replacement without re-calibration

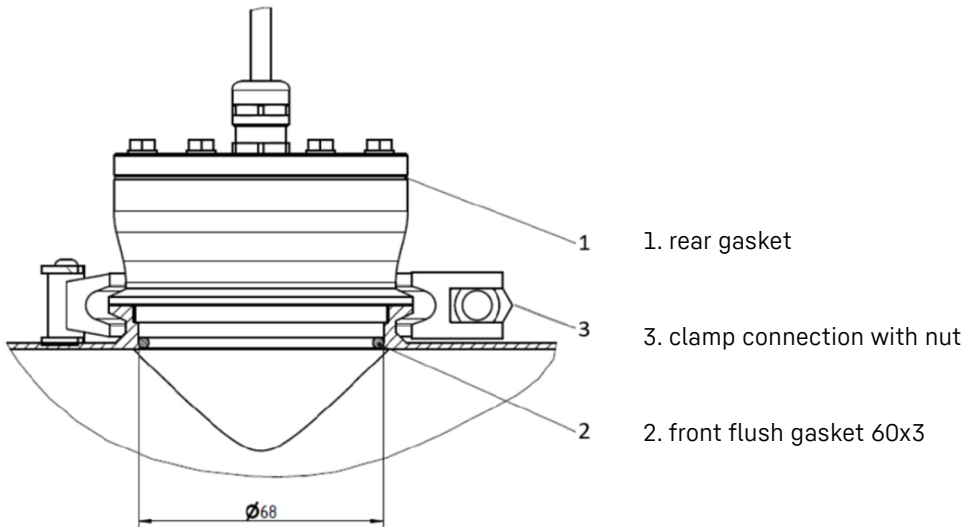
Liebherr-Mischtechnik GmbH

Im Elchgrund 12, 88427 Bad Schussenried, Germany
Postbox 145, Phone: +49 7583 949-807
www.liebherr.com, E-Mail: mt.lmt@liebherr.com

Technical data planar sensor P71-HD

Power supply	8...30V, 0.4 VA
Measuring range	0 – 100 % moisture content (measuring window adjustable)
Max. measuring accuracy	+/- 0.05 % moisture content ^{2.)}
Temperature measurement accuracy	+/- 0.5 °C
Max. pressure in connection with Varinline® housing flange N	16 bar
Operating ambient temperature	+5 – +80 °C
Operating temperature electronics / storage temperature	-20 – +80 °C
CIP – max. cleaning temperature (temperature/duration/ambient temperature)	+90 °C / 30 min / +25 °C
SIP – max. sterilization temperature (steam) (temperature/duration/ambient temperature)	+121 °C / 15 min / +25 °C
Update cycle	32.64 ms
Protection class	IP65, IP67, IP69K
Wear protection	PEEK
Gasket	EPDM E7502 ^{3.)}
Housing/flange material	V4A (1.4404) / 316L
Dimensions: Ø / height	84 mm / 58 mm (without cable gland)
Weight without cable	1.2 kg
Connecting cable length	6 m
Connecting cable type	UNITRONIC®ROBUST C 7x0.14 shielded
Measurement value transfer	digital: RS-485, multi-processor protocol
Max. number of sensors on bus	16
Max. bus length	1200 m

Assembly:



Remark:

- 1.) EHEDG logo may only be used in connection with the following designation "Moisture sensor, Litronic-FMS planar sensor type P71-HD with PEEK product contact surface and EPDM E7502"
- 2.) Representative according to the batch or the period of continuous operation with the corresponding evaluation unit Litronic-FMS II, depending on material, ideal material flow and proper calibration
- 3.) EHEDG approved material in connection with the logo